

Static Balancing of Grinding Wheels

Balancing Scales AW 1000



Advantages

- Simple and reliable operation
- Rugged design
- Cost-efficient balancing solution
- Improved surface quality of workpieces
- Increased operation time of grinding wheel and grinding spindle

Application

- Static balancing of grinding wheels and other rotating bodies.

Description

The HOFMANN balancing scales AW 1000 are designed for static balancing of disc-shaped rotating bodies - especially for grinding wheels.

The grinding wheel set is mounted onto a balancing arbor and put into the scale frame. The scale frame with its steel cutting edges rests on the seats of the base frame. This kind of bearing does not have any rolling friction. Therefore a high balancing quality can be achieved using this principle.

The angular position of the unbalance is being evaluated by turning the grinding wheel until the scale frame is balanced. Then the size of the unbalance is being evaluated by means of a moving weight attached to the scale frame. A balancing gauge allows for the positioning of the balancing weights integrated into the wheel flange.

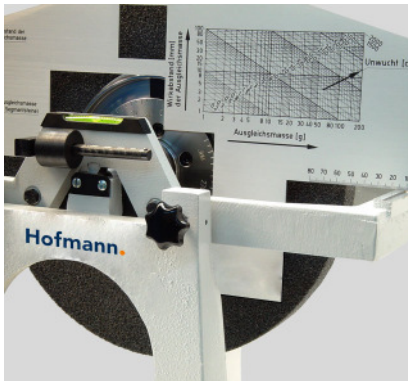
Using this balancing method results in a normal surface quality of ground workpieces.

Higher quality requirements can be achieved when using the balancing instruments EasyBalancer EB 3002 or Minibalancer MI 2000. These portable instruments balance the grinding wheel in-situ mounted inside the grinding machine.

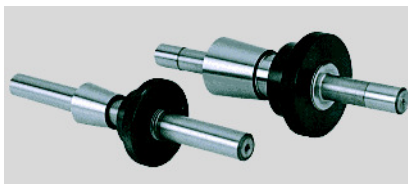
The HOFMANN balancing scales AW 1000 are available in three different sizes. A balancing arbor is not scope of the standard delivery. It may be manufactured upon customer's request.

Technical data

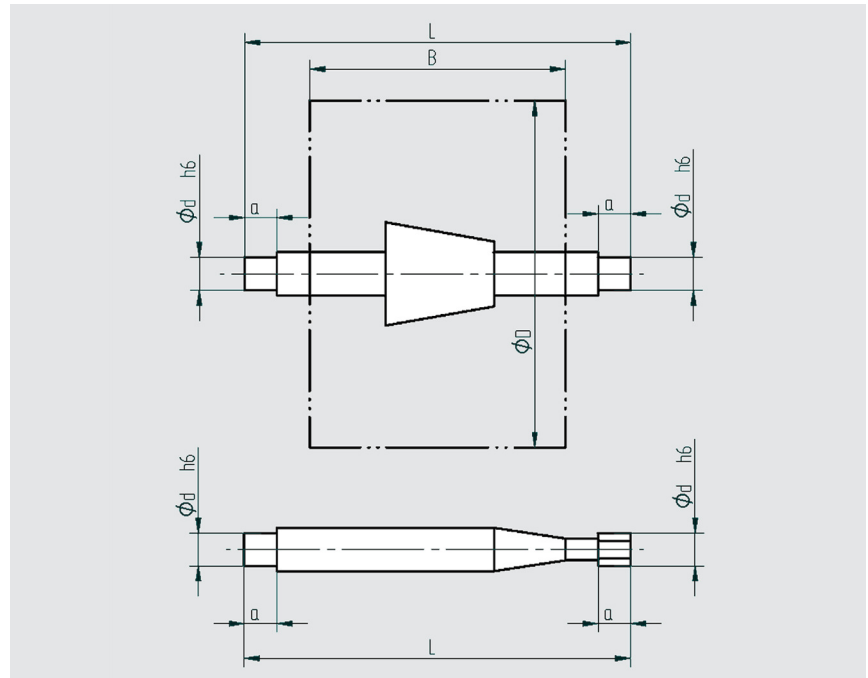
AW 1000 -		32	62
Grinding wheel			
Weight, max.	kg	35	150
Diameter D, max.	mm	320	620
Width B, max.	mm	140	230
Balancing arbor			
Length L	mm	178	288
Journal diameter d	mm	15	30
Journal length a	mm	15	30



Grinding wheel and balancing gauge



Balancing arbors



Dimensions of balancing arbors

Option

- Customized balancing arbor

Scope of delivery

- Balancing scale
- Balancing gauge
- Operation manual

**All information without obligation,
subject to change without notice!**